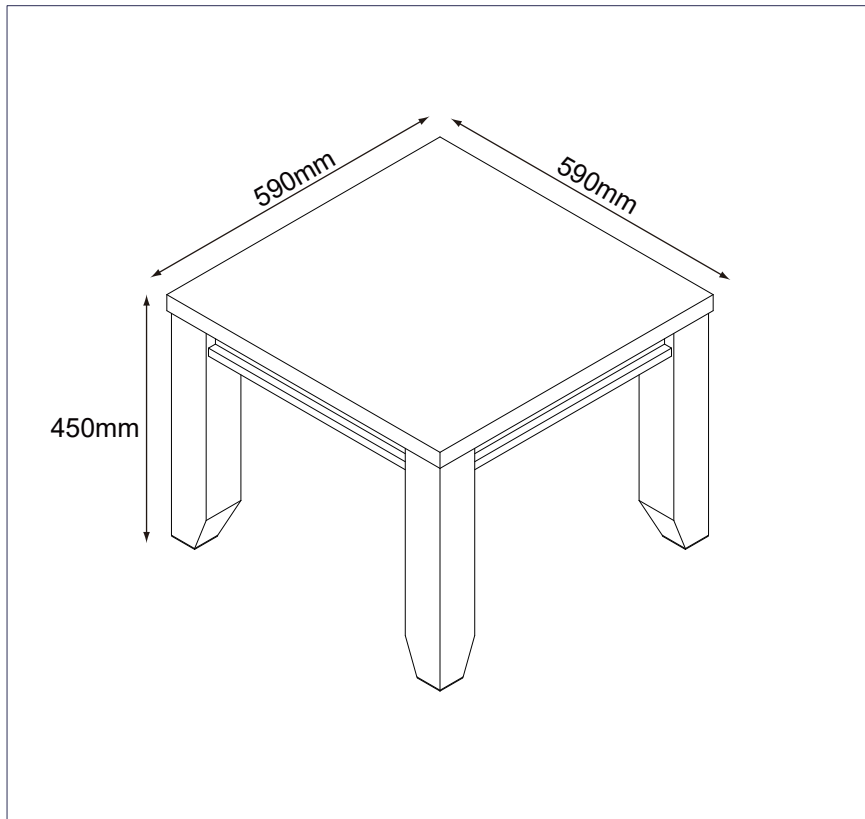




ASSEMBLY INSTRUCTION
CASSEL LAMP TABLE
ITEM CODE 85576

Imported by Amart Furniture Pty Ltd, Qld, Brisbane Australia.
For any assistance with assembly or for missing parts please phone
Amart Furniture Road, Customer Service Free call 1800 351 084

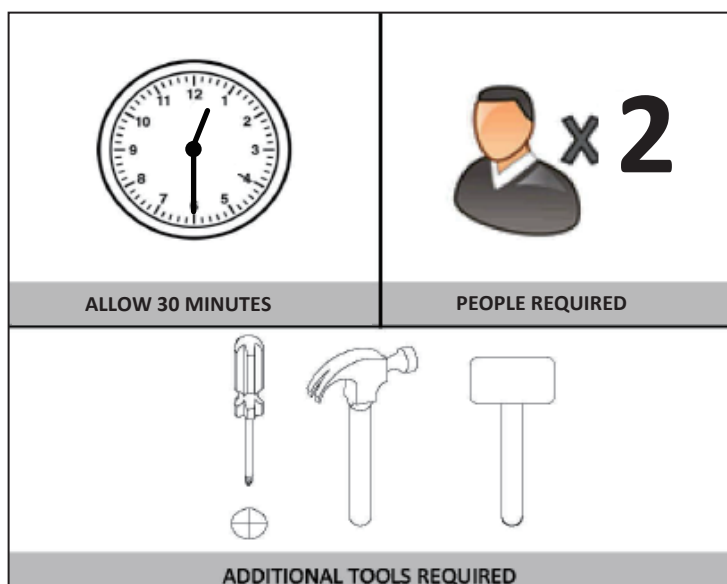


Imported by Amart Furniture Pty Ltd, Qld, Brisbane Australia.
For any assistance with assembly or for missing parts please phone
Amart Furniture Road, Customer Service Free call 1800 351 084

PRE-ASSEMBLY PREPARATION

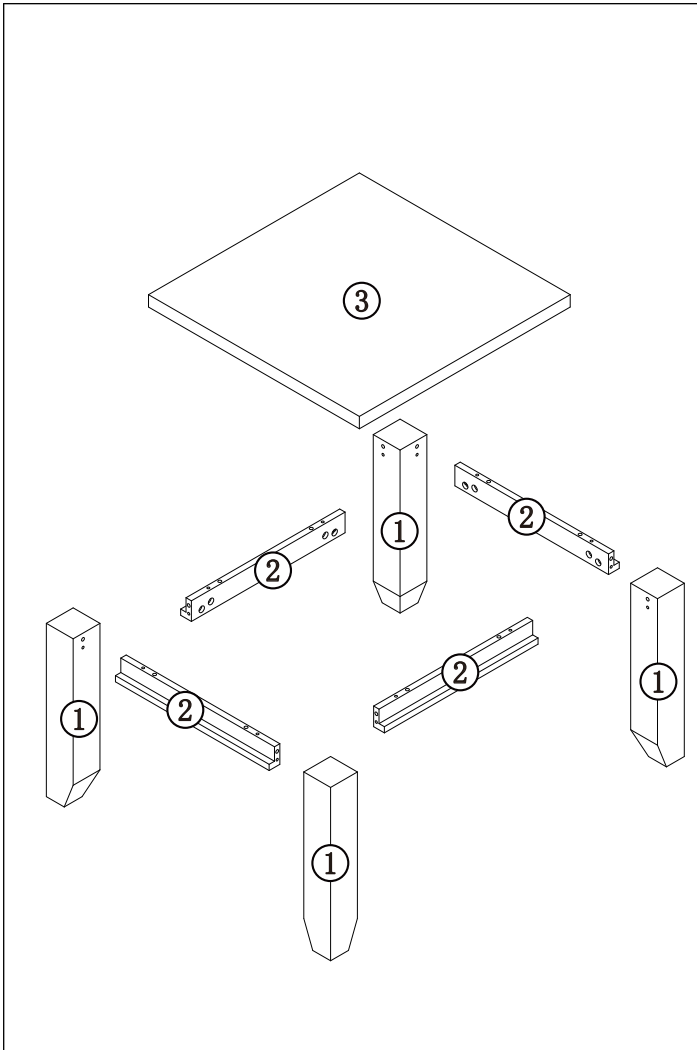
Before you start:





1. Choose a clean, level, spacious assembly area. Avoid hard surfaces that may damage the product.
2. Take care when lifting. Product should be assembled as near as possible to the point of use.
3. Ensure that you have all required contents for complete assembly.
4. Always read the assembly instructions carefully before beginning assembly.
5. Keep all hardware parts and packaging out of reach of small children.
6. Do not over tighten the screws and bolts as this may damage the threads.



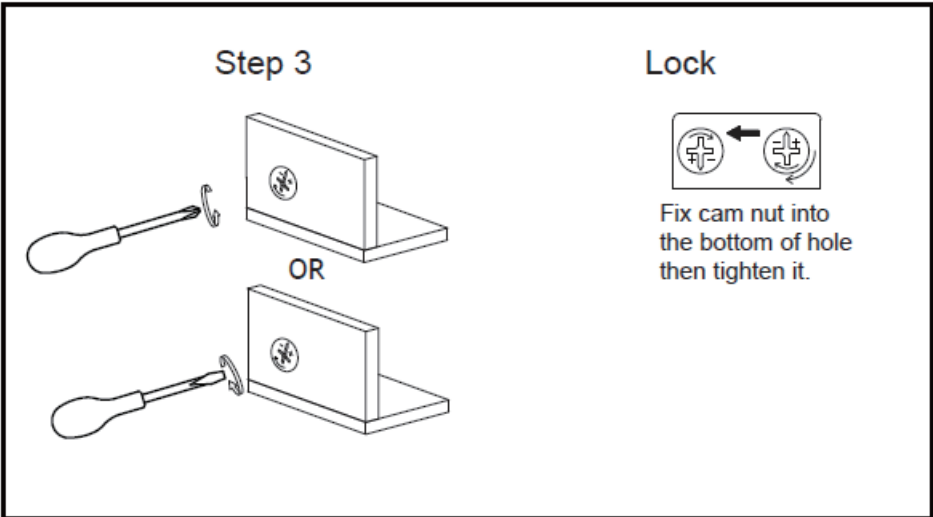
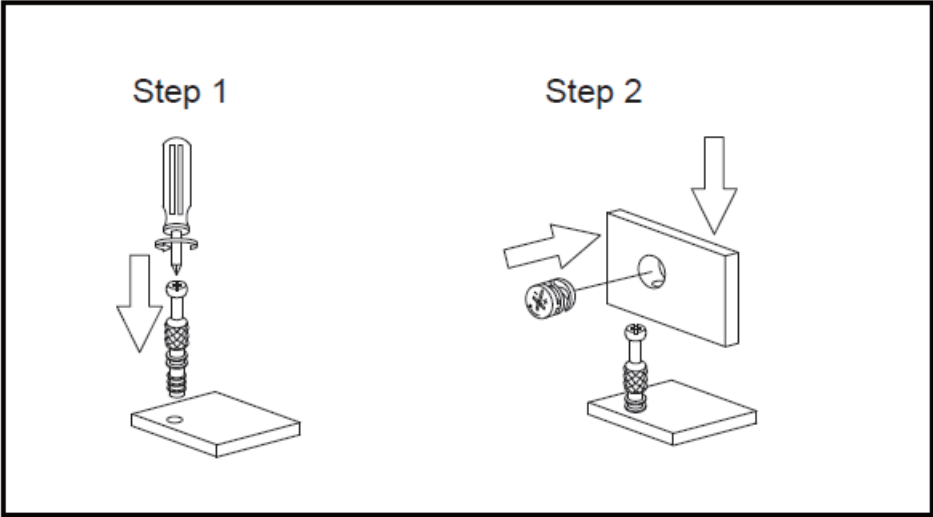
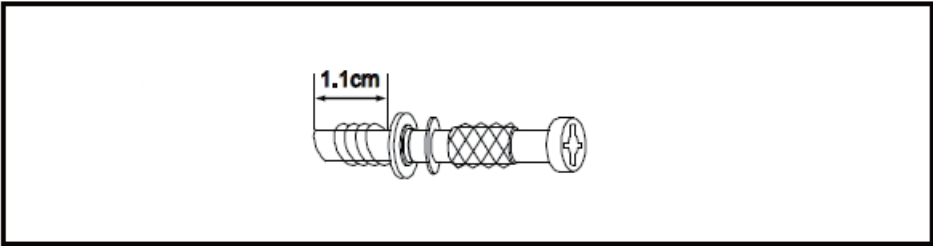
PARTS LIST

1	LEG
2	SUPPORT PANEL
3	TOP PANEL

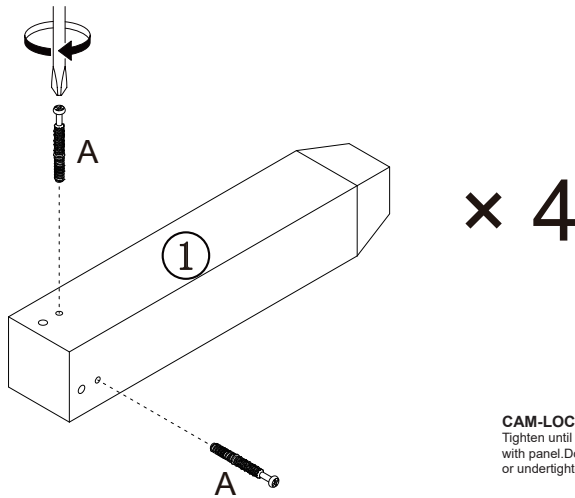


A cam pin  M7×47mm 16×A	B cam lock  16×B	C dowel  M8×50mm 16×C	D foot pad  1×D
---	---	---	--

CAM LOCK INSTALLATION

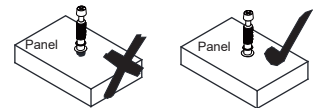
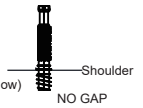


STEP1: Fix cam pin (A) (F) to panel (1).

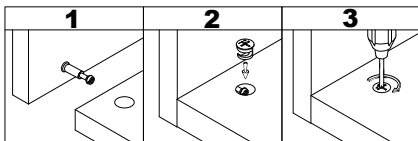
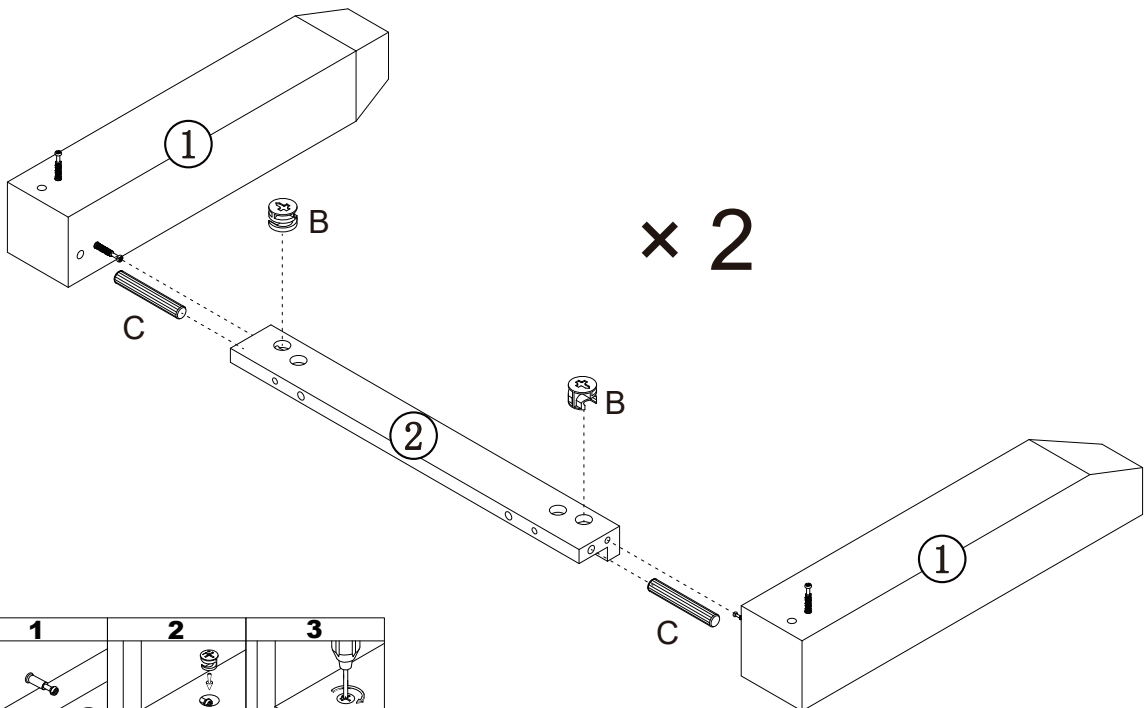


CAM-LOCK

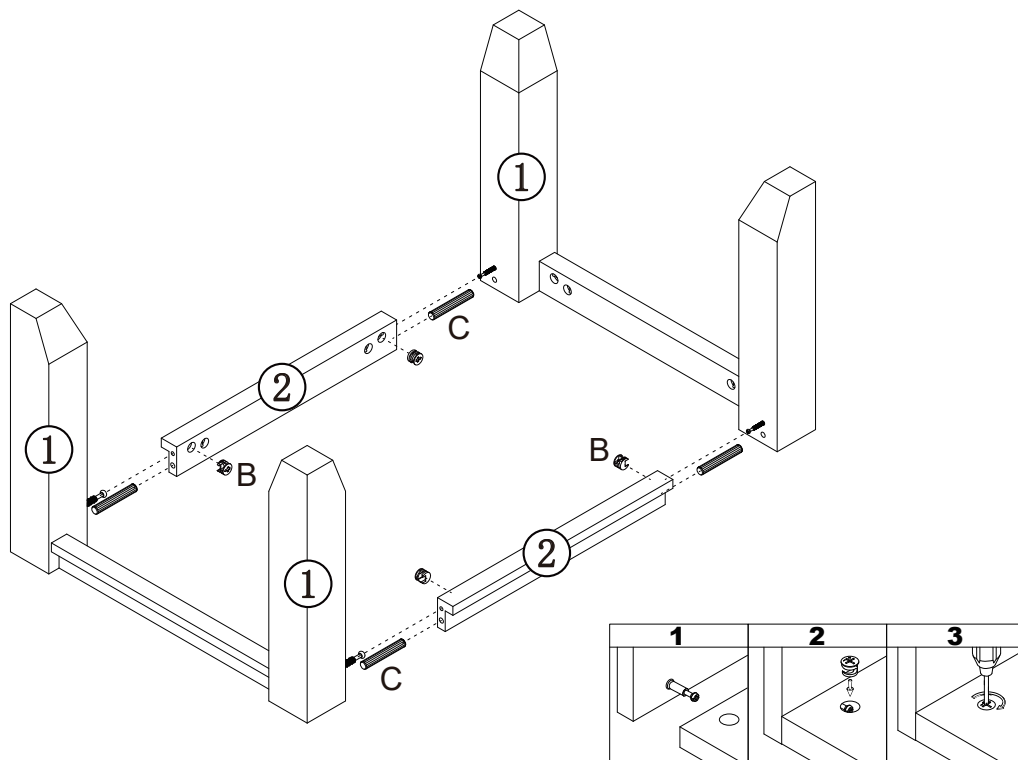
Tighten until shoulder is flush with panel. Do not overtighten or undertighten (see example below)



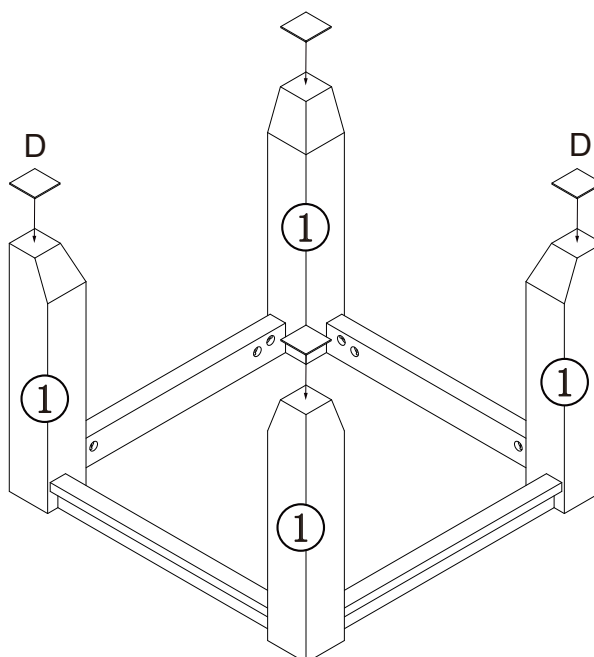
STEP2: Attach panel (2) to panel (1) with cam lock (B) and dowel (C).



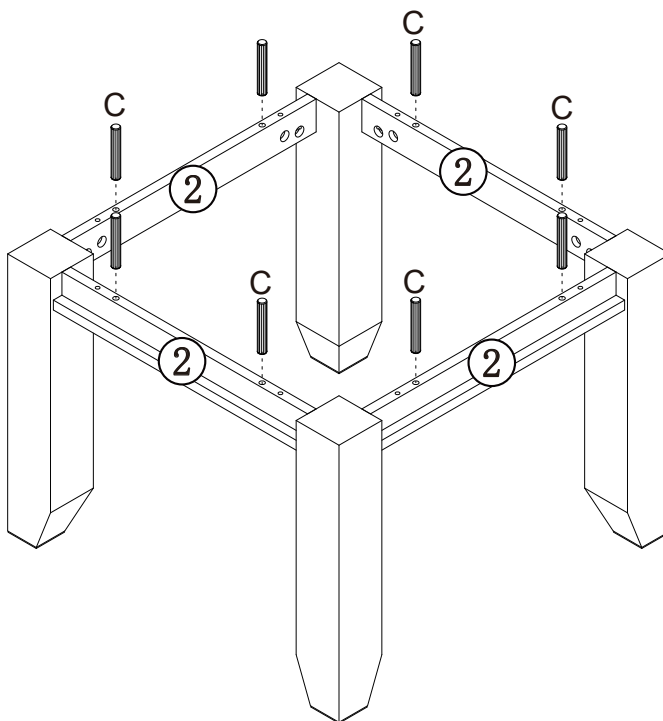
STEP3: Attach panel (2) to panel (1) with cam lock (B) and dowel (C).



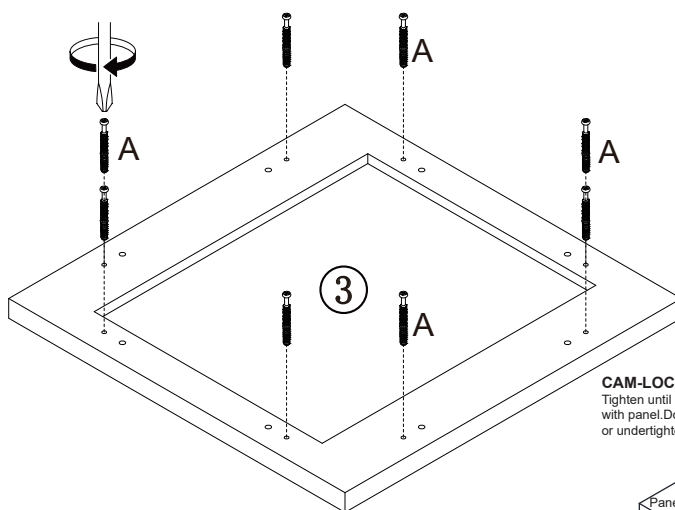
STEP4: Fix foot pad (D) to panel (1).



STEP5: Insert dowel (C) to panel (2).

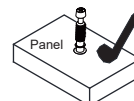
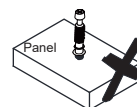
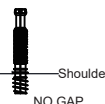


STEP6: Fix cam pin (A) to panel (3).

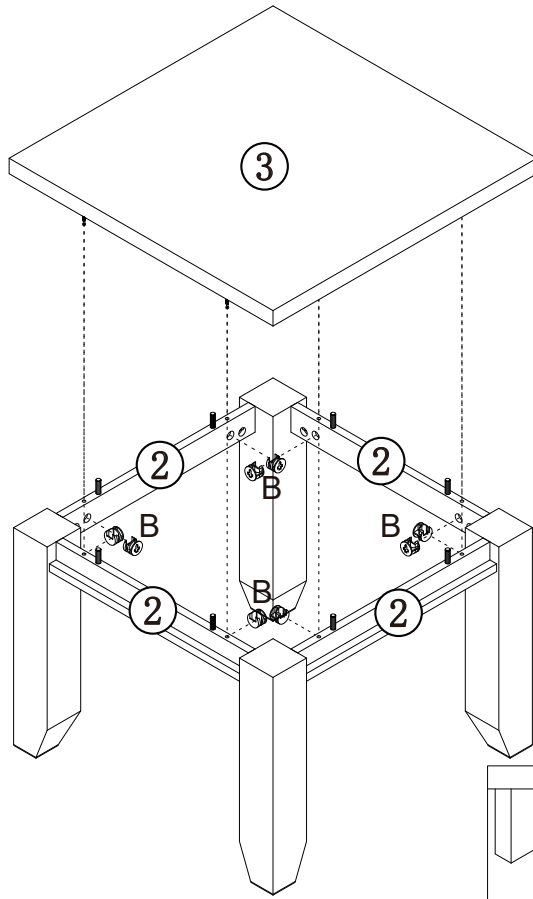


CAM-LOCK

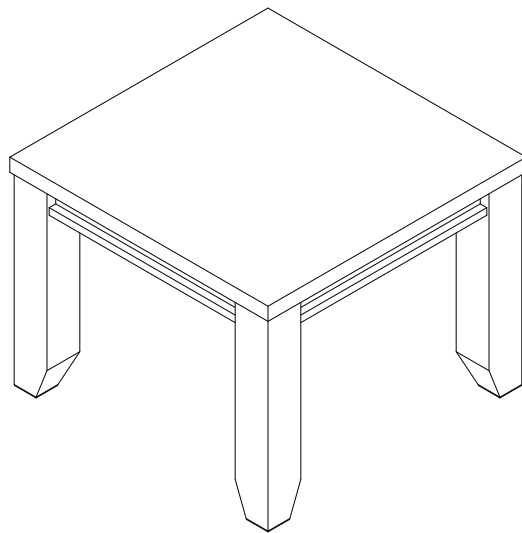
Tighten until shoulder is flush with panel. Do not overtighten or undertighten (see example below)



STEP7: Attach panel (3) to the body with cam lock (B).



ASSEMBLY IS COMPLETE



General Product Care

To protect your furniture, we suggest the following:

- Avoid placing your furniture in direct sunlight.
- Do not place furniture directly under windows.
- Do not place sharp materials (knife, fork, etc.) directly onto your furniture as sharp material may scrape and damage the finish.
- Do not place material with high temperature directly onto the surface of your furniture.
- Clean up spills quickly. Water left over a prolonged period of time may cause damage. Alcohol, perfume, nail polishes, aftershave and some medication may cause severe finish damage if not cleaned immediately.
- Use a clean, soft, dry, lint free absorbent cloth to clean your furniture. Do not use any detergent as they may contain ingredients that may react and damage the finish.